

EUROCASH - GRADE IV



Features

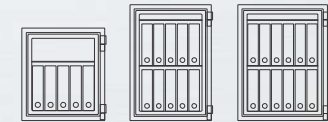
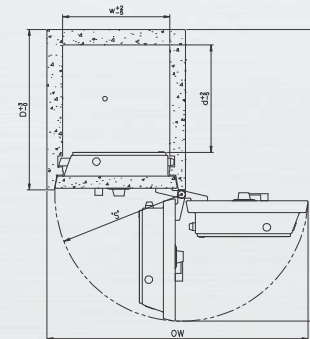
- Tested and certified by CNPP - France & ECB,S - Germany, as per EN 1143 - 1, Grade IV
- Certified by RISE Research Institute, Sweden for Fire Resistance - 60P
- Contemporary light-weight design and construction
- Standard safe comes fitted with two high security Double Bitted Class B Key Locks as per EN 1300 standards
- Options available for Digital Electronic and Mechanical Combination locks certified as per EN 1300 standards
- Overnight cash cover - €150,000

(The above cash cover rating is recommended for the Business/Industrial Sector in an unsupported environment. The recommended cash cover for Private Individual or Domestic use will be €400,000. However, these are indicative overnight cash covers only and may vary across geographical locations, depending on statutory compliance requirements and local laws. Insurers may assign different cash cover values to the one recommended above.)

MODEL	F23	F28	F28WD	F35S	F43S	F51S	F63
E	715	830	830	1030	1230	1430	1730
X	550	580	640	640	640	640	800
T	648	673	648	648	648	648	693
I	585	700	700	900	1100	1300	1600
N	420	450	510	510	510	510	670
T	425	450	425	425	425	425	470
Door at 90° (OD) (mm)	1168	1223	1258	1258	1258	1258	1463
Door at 180° (OW) (mm)	1036	1096	1216	1216	1216	1216	1536
Door Swing Radius (S) (mm)	500	530	590	590	590	590	750
V _{in} in (Ltrs)	105	140	151	195	238	281	503
kg	392	461	481	574	671	763	1091
Product Rating	Tested & Certified by CNPP - France & ECB.S - Germany						
Burglary Resistance	EN 1143 - 1, Grade IV						
Fire Resistance	NT 017 - 60 P - RISE Research Institute, Sweden						
Std. Hanging of Door	Right Hung						
	2	2	2	3	3	3	3
Std. Locking*	02 Nos. EN 1300 Class B, Double Bitted Key Locks.						

Tolerances on Weight - +/- 10%

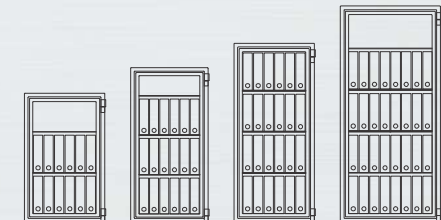
Bespoke sizes available - please check with us for available variations in dimensions.



F23

F28

F28WD



F35S

F43S

F51S

F63